



Modern Masterpiece

Sleek, rectangular styling coupled with a spacious oval bathing vessel makes this spa bath a modern masterpiece. Available in two convenient sizes to fit most home spa needs, the Grace II is an outstanding choice for authentic spa-quality hydromassage with four or six jets for your ultimate bathing pleasure.

- An elite rectangular-style spa bath with a full size, ergonomic backrest for complete relaxation and rejuvenation, designed for single and couples bathing.
- **Elite Hydromassage System** features six ultra-quiet Pipeless™ jets
- For drop-in and three-wall alcove installation with a mid-drain location
- Available with ChromaSoothe lighting, ergonomic grab bars and decorative drain with integral overflow

The Pipeless™ Advantage

Every Purewater® Bath features the purity of Pipeless™ technology. With no pipes to trap bath residue and foster the growth of harmful bacteria commonly found in most ordinary piped and air-bubble systems, our patented Pipeless™ system ensures hospital-grade disinfection. Every time you slip into a Purewater® Bath it's pure, clean and sanitary – exactly the way bathing is supposed to be.

Smooth, Quiet Operation

Whisper quiet and free of vibration, Purewater® Baths produce half the noise of conventional piped whirlpools and a fourth as much as air-bubble baths, ensuring your spa bath experience is peaceful and relaxing.

True Spa-Quality Hydromassage

Envelop your body in a soothing cushion of relaxing hydromassage. Purewater® Baths combine simple water flow with advanced technology and complete hydromassage control to create a genuine, spa-quality bathing environment.

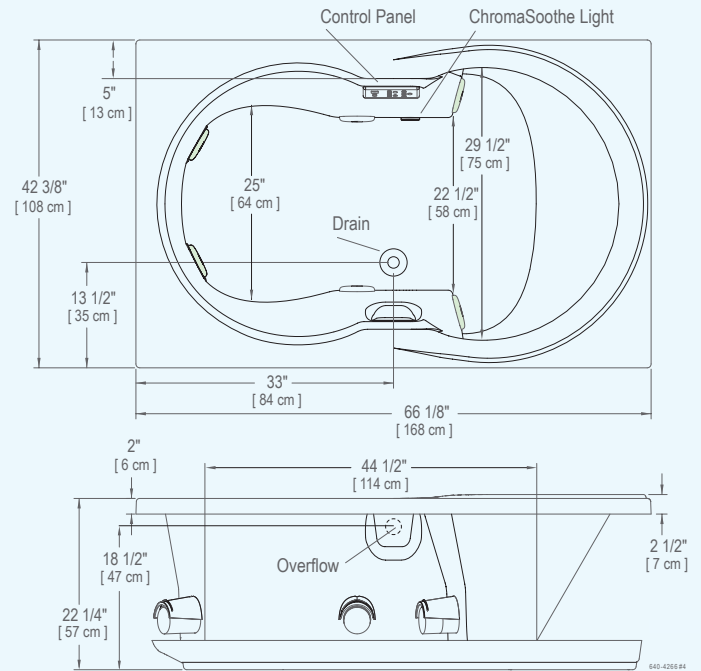
Whether soaking or using active hydromassage, enjoy your favorite essential oils and thermal bath salts with confidence – any residue left behind can be completely cleaned after each use.

The Grace II is exclusively available with the **Elite Hydromassage System** featuring multiple preprogrammed massages, to deliver maximum benefit at the touch of a button.

Standard Features

- Pipeless™ spa baths can be thoroughly cleaned in approximately five minutes
- Purewater® Baths Pipeless™ hydromassage system disinfection protocol is independently certified by NSF International
- Intuitive electronic command panel with treatment timer automatically turns the spa bath off after 20 minutes of continuous use
- Requires no unsightly access panels and key components are accessible from inside the bath for easy maintenance
- Durable, easy-to-clean, lustrous acrylic construction
- Custom, pre-leveled ABS base for superior installation
- Extensive protection with the Purewater® Baths Limited Warranty
- Available in today's popular colors: White, Biscuit and Black

W-42³/₈" , L-66¹/₈" , H-22¹/₄"



NOTE:
Dimensions may vary +/- 1/4" (7 mm). Service access panel may be required by local codes.

Model/System Selection

- Grace II – Elite Hydromassage System: 6 Jets
- Grace II – Elite Hydromassage System: 4 Jets

Options and Upgrades

- ChromaSoothe Lighting System with color wash setting and seven solid light colors
 - Single Light System
 - Dual Light System
- Decorative finish cable-operated drain with overflow
 - Polished Chrome
 - Oil Rubbed Bronze
 - Brushed Nickel
 - White
 - Biscuit
- Tile Flange Kit
- Ergonomic grab bars: Two 9" grab bars
 - White
 - Biscuit
 - Black
- Colors available
 - White
 - Biscuit
 - Black

Recommended Plumbing Requirements

- Water Supply: 3/4" N. P. T.
- Drain: 1 1/2" O.D.

Water Capacity

Operating 59 U.S. Gallons (224 liters); Min. 40 U.S. Gallons (152 liters); Max. 81 U.S. Gallons (307 liters)

Electrical Requirements

Hard-wired, 115 VAC, 60 Hz, 15 amp dedicated circuit, GFCI protected

Shipping

- Shipping Dimensions: Width 45" (114 cm) x Length 24" (61 cm) x Height 80" (203 cm)
- Shipping Weight: 230 lbs (104 kg)

Warranty

- Residential: Limited Lifetime Shell/5-Year Parts Limited
- Commercial: 1-Year Shell/1-Year Parts Limited

Listings and Certification

Specified models meet or exceed the following:



Specifications subject to change without notice.

Dimensions/Shape

- Width 42³/₈" (108 cm), Length 66¹/₈" (168 cm), Height 22¹/₄" (57 cm)
- Rectangular design

Primary Bathing Design

One-person bath

Installation Types

Drop-in and three-wall alcove

Drain Location

Mid-drain

Material

Structurally reinforced cast acrylic

Construction

Self-contained Pipeless™ spa bath mounted on pre-leveled, thermoformed base

PRODUCT SPECIFICATION

The spa bath shall have an outer dimension of 42³/₈" in width, 66¹/₈" in length and 22¹/₄" in height. Product shall be made of reinforced cast acrylic with a pre-leveled, thermoformed ABS base. The spa bath jet system shall consist of six (6) Pipeless™ jets with removable jet and impeller assemblies. Product shall be independently certified by NSF International for health and sanitation characteristics under Protocol P182. The following wetted component parts shall be serviceable and accessible from inside of bathing vessel: control panel, control modules, jet bodies and motors. The spa bath may be specified with an optional decorative finish drain / overflow, grab bars and ChromaSoothe light(s). Product shall be a Purewater® Baths Grace II with an Elite Hydromassage System and 6 jet configuration.

