



**PARKER™ TROLLEY COLLECTION**  
VERSATILE WORKSTATIONS

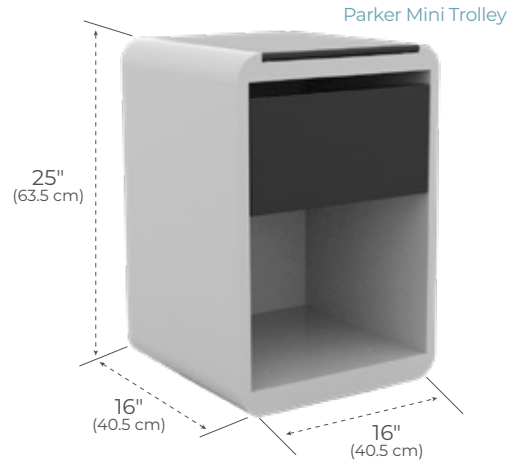
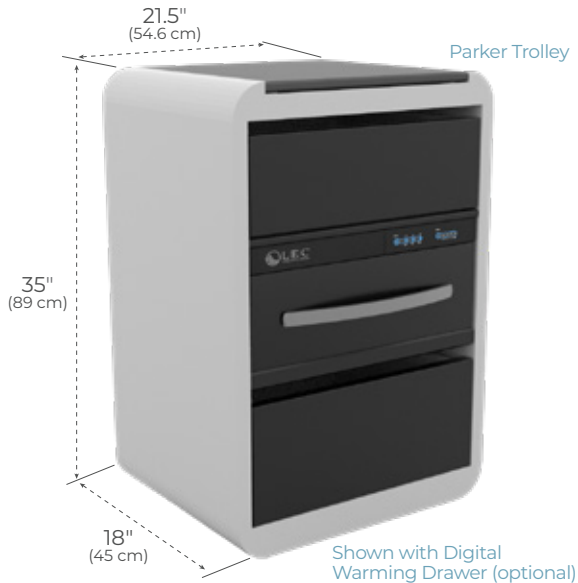


Parker Trolley

Parker Mini Trolley



# PARKER™ TROLLEY COLLECTION VERSATILE WORKSTATIONS



This elegant throwback trolley design is packed with practical features including a tempered glass work surface, soft close drawers, surge-protected power strip, and soft rolling casters. Add an optional Digital Warming Drawer (or Mini Hot Towel Cabinet) for hot towels or stones and you have a fully functioning workstation, available in bespoke finishes.



Tempered glass work surface

Convenient open storage shelf



Easily warm towels or linens in optional Digital Warming Drawer

Mini Parker with optional Mini Hot Towel Cabinet



Convenient drawers provide ample storage



### Trolley Dimensions

- Height: 35" (89 cm)
- Width: 21.5" (54.6 cm)
- Depth: 18" (45 cm)

### Features

- Multi-functional working space
- Tempered glass surface in Black Onyx, Sugar White, or Sea Glass
- Rolling casters
- Ample product storage
- Laminate finishes in Matte White, Matte Black, Natural Maple, or Brown Mahogany)

### Options

- Built-in digital warming drawer for towels, linens or stones
- Additional laminate options available

### Electrical - Warming Drawer (optional)

- 120V - 515 watts / 4.3 amps
- 220V - 515 watts / 2.3 amps
- International plug options



### Mini Trolley Dimensions:

- Height: 25" (63.5 cm)
- Width: 16" (40.5 cm)
- Depth: 16" (40.5 cm)

### Features

- Multi-functional working space
- Tempered glass surface in Black Onyx or Sugar White
- Rolling casters
- Ample product storage
- Laminate finishes in Matte White, Matte Black, Natural Maple, or Brown Mahogany)

### Options

- Mini Hot Towel Cabinet
- Additional laminate options available

### Electrical - Mini Hot Towel Cabinet (optional)

- 120V - 515 watts / 4.3 amps
- 220V - 515 watts / 2.3 amps
- International plug options

