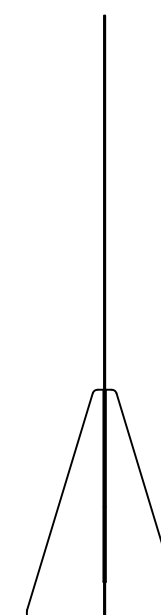
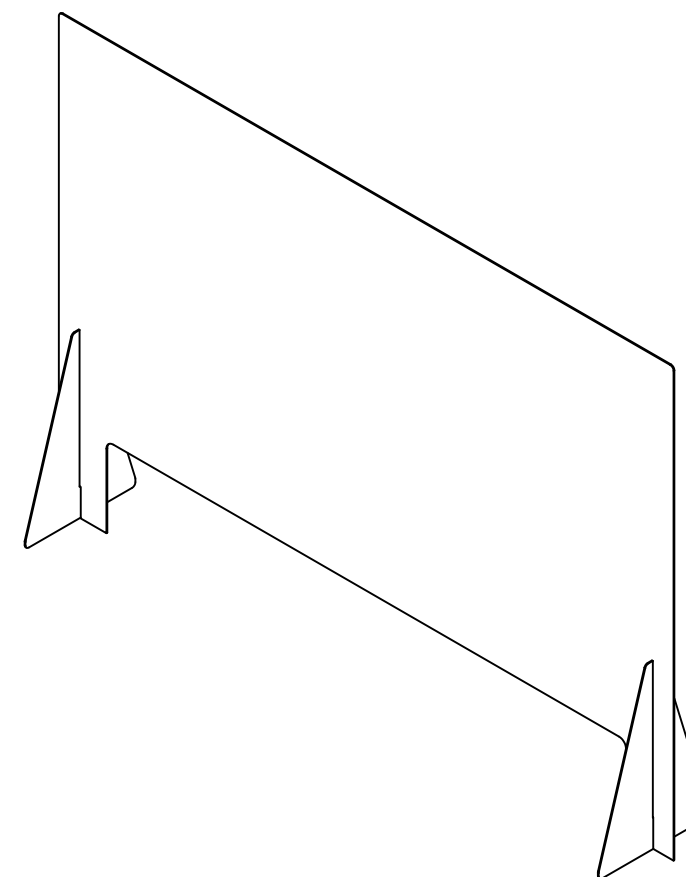
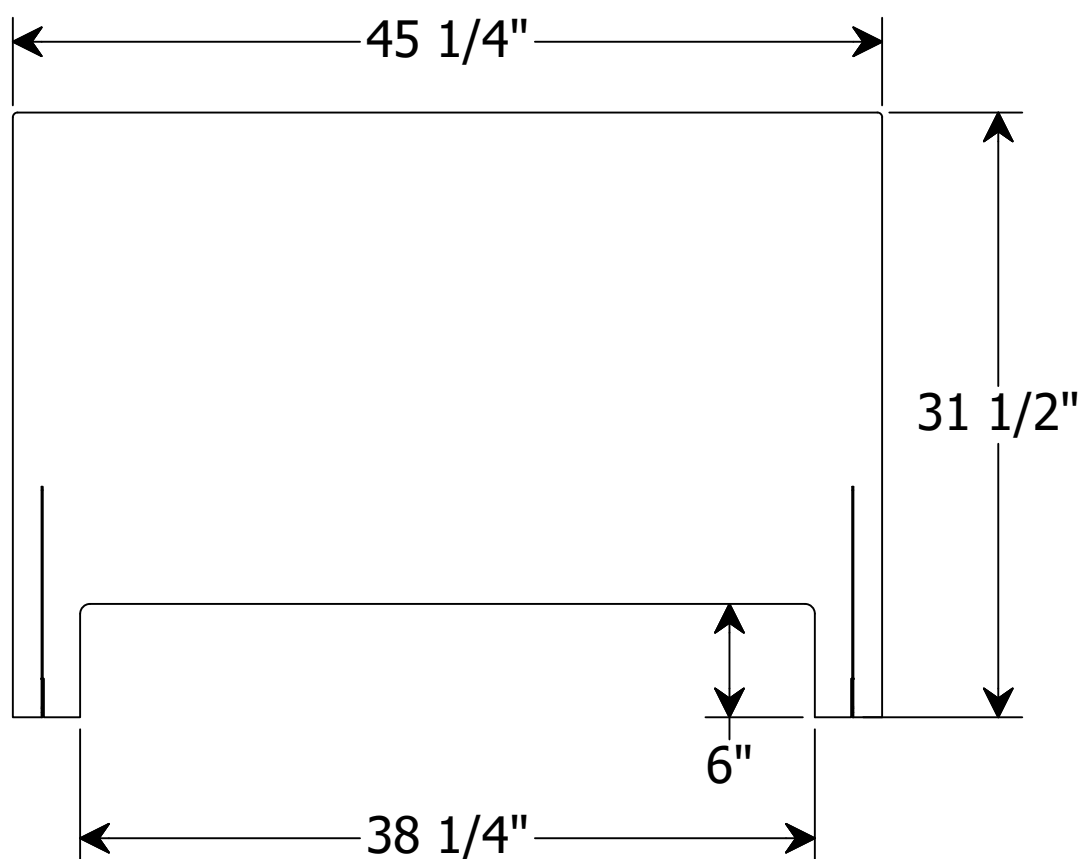
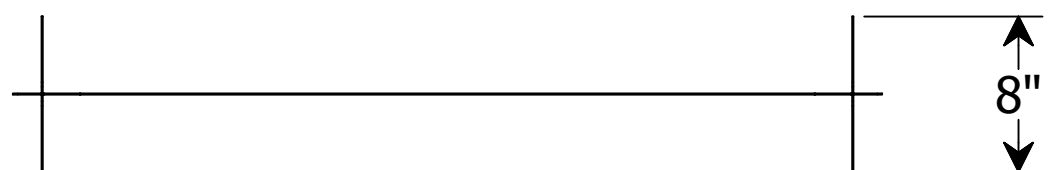
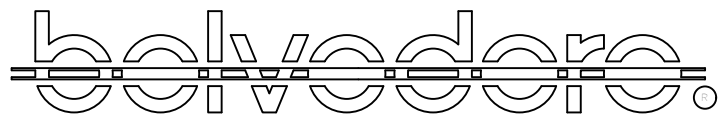


PARTS LIST

ITEM	QTY	PART NO.	DESCRIPTION
2	2	RD200302	LEGS
3	1	RD200401	FRONT



MATERIAL			
FINISH	USAGE		
NP78		DESCRIPTION 45-1/4" x 31-1/2" - LG OPENING	
DRAWN RES	DATE 4/27/2020	PART NO. RD200400	REV SHEET 1 of 1
<small>Δ = REVISION () = REFERENCE Tolerance ±.5mm DIMENSIONS ARE MM UNLESS OTHERWISE SPECIFIED</small>			