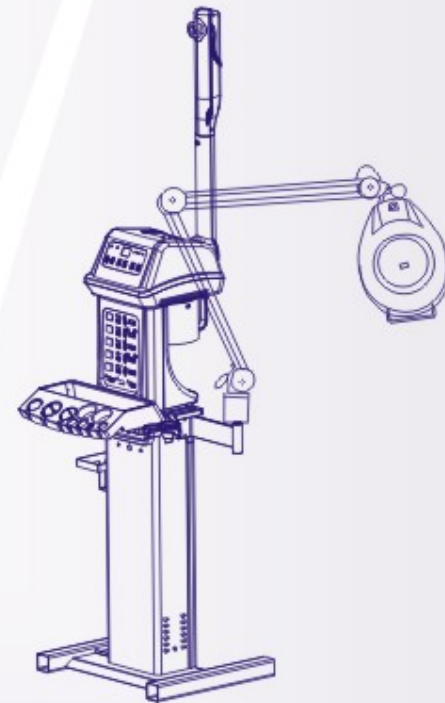


USER'S GUIDE OF D-9000A
MULTI-FUNCTIONAL COMPREHENSIVE
BEAUTY APPARATUS



Contents

WORKING THEORY-----(2)
 STRUCTURE INTRODUCTION-----(4)
 OUTLINE(SEE FIGURE A)-----(8)
 OPERATING METHODS----- (8)
 FUNCTIONS-----(13)
 CLEAN AND MAINTENANCE----- (14)
 SPECIFICATION----- (15)
 REFERENCE TABLE FOR THE COURSE OF WRINKLE COSMETIC TREATMENT (16)
 FAILURE INSPECTION AND HANDLING METHOD(17)

Failure inspection and handling method

Item	Common breakdown	Inspection method	Handling method
FAR FARED RAY SPACE	Fail to work	Whether the power is on or not	Connect the power
		The two lines whether well connected with the main unit or not	Put the plug into socket according to the fixed direction, lock at the same time
		Whether the “power, select start, timer ” keys are all on or not	Turn all switches on
		Whether output of the main unit is inserted by mistake	Exchange output correspondingly

Attention: Please don't disassemble the machine without our company and dealer's repair, if it has some trouble (power line damaged etc) please contact with dealer or our company to repair or to replace.

Reference Table for the Course of Wrinkle Cosmetic Treatment

Skin Symptom	Course (Sessions)	Time & Interval	Stress of the Treatment	Therapeutic Medicine	Stress or Articles for Nursing	Moles
some scar, pink scar, burns toe bite, extravasated blood, collision wound	1-2	every other day, 10 minutes, each line	Intensity: 0.5-1.25 successive stroke. Gently & slowly massage the skin. Ability to massage on the extravasated part	Tian Qi cream, scar dispelling pack, baling extract feeds dispelling ohment	Bleaching, dispelling feeds, angelcamout, facial mould	95.2%
nodular acne, scars, parchment, rough epidermis, acne scars, acne scars, glandular scleritis	2-3	every two or three days 15 minutes, each line	Intensity: 0.75-1.25 successive stroke, slight to heavy	Tian Qi cream, chuanrong cream, scar-softening cream, skin protector	cold moulding, mouthish facial membrane	78%
Sunburn, pregnancy feeds, pig pigmentation, blackish, abnormal black pigment, brown feeds	2-3	Every 2-3 days 15 minutes each line	Intensity: 0.75-1.25 successive stroke, heavy on the cheekbone and feeds	Angelica cream, chuanrong cream, feeds dispelling cream, baling extract	Bleaching, dispelling feeds pearl cream moulding wax moulding	84.25% 92.35%
Scrinkle dried, cracked, wrinkled skin, other wrinkles	1-3	every 3 days 10 minutes each line	Intensity: 0.5-1.25 successive stroke, slightly massage the corners and massaging upper eyelid	placenta cream, olive oil eye oil, anti-wrinkle cream moulding extract	hydrumodulating cream mouthish facial membrane wax moulding	95%
Susceptible eggshell skin, pimple	1-3	every 3-5 days 10 minutes each line	Intensity: 0.5-1.0 pulse stroke slightly massage	angelica cream Tian Qi cream moulding	cold moulding cool soft moulding	85%
bulky pore, skin hyper-secretion, nodular and seboid acne	1-2	every 5-20 days 15 minutes each line	Intensity: 0.5-1.25 pulse stroke slightly to heavy pulse 2-3 minutes at every big acne. The acne should be daily cleaned up	anti-acne ohment anti- bolic extract Tian Qi cream	Cold moulding freezing the acne membrane You Gao ohment (plant) & mineral mud	87%
eye-sack, black eye rim, catarrh, wrinkles, fascioli	1-2	every 3 days 5-10 minutes each line	Intensity: 0.75-1.25 successively, slightly massage the affected part, boot massage the eyelid and upper lids	eye ohment placenta cream nourishment extract	eye-sheller	90.35%
Breast-protrude, level breast, hypoplasia, post-pregnant trophy	2-3	every 3-20 days 20-40 minutes each line	Intensity: 0.75-2.0 successively pull the massage stress on the nerve points to which's stimulation should be increased	chest lamping ohment chest lamping extract	chest lamping instrument	95%
abdominal wrinkles, flaccid abdomen, rufles pigment	2-4	every 2-3 days half an hour each line	Intensity: 1.0-2.0 successively at female the massage directionally and back and forth	placenta cream	fatness reducing instrument	85%

FOREWORD

D-9000A Multi-Functional comprehensive beauty apparatus appears in the market first time is the widest instrument of use. The instrument has the functions that the beautician daily use and indispensable function needed, such as Vacuum & Spray, High frequency, Galvanic, Supersonic, Spot remover, Brush, Hot & cold treatment, Vapour, Floating-massager, Magnifying lamp, Wood lamp and so on. There are 13 functions integrated into one body. So the machine is multi-purpose, multiple functional, and also it is easy and simple to handle. The equipment can be improved the equipment grade of the beauty salon at the same time.

This machine is reasonable in design, beautiful and practical, each function can be operated independently or use at the same time, Do not interfere each other. Adopt electricity leaking the protector; ensure the safety of customer and the operator.

Before using the apparatus, be sure to read the manual carefully, and is only for the professional use.

A. WORKING THEORY

- a) Facial steamer uses electronic to boil water for producing steam, and then it uses the ultraviolet lamp to decontaminate the steam. Finally it passes the sterile the steam to the skin where needs to be care.
- b) The suction is helpful in deep pore cleansing of the skin. It acts much like a miniature Vacuum cleaner to suction out deeply embedded dirt, grease and other impurities. Spray helps achieve a thorough cleansing of the skin's surface. The bombardment of spray is used to flush out the pores, especially after suction and squeezing of blackheads and pimples.
- c) Hi-frequency uses Neon or ultraviolet to sterilize the skin, makes it harmless even of high discharge tensions.
- d) Using ions current two-pole mutual absorption helps to pick out the dirt embedded pigment or metal-ion kept in the cosmetics, and introduces skin necessary nourishment or curing medicine into the skin.
- e) Brush uses rotating brush to clean the face, to remove the dirt in the pore, to remove the dead cells on the skin.
- f) Wood lamp uses ultraviolet light to inspect the skin, when ultraviolet light shines on the skin, different skin feed back a different color. The beautician can accord the different color to choose the suitable cure methods.
- g) Magnifying lamp can zoom out the objects, it can help the beautician see the part needs to be care more clear and more easy to operate when the beautician applying the surgery.

- 4) Forbid inserting or pulling out the fittings when the machine under working.
- 5) When using, please keep the needle a short distance from skin. Don't let the tip of the needle get into the skin too much, and also don't stay in the skin too long, or else will hurt the skin.
- 6) Please sterilize the fittings before treatment and after treatment.

⚠ WARNING	
<p>1) Caution: High temperature!</p> <p>2) Caution when using High Frequency:</p> <ul style="list-style-type: none"> * Electric probe can not touch the metal when working. * Electric probe cannot come close to main unit too much or touch the main unit. * Do not touch the electric probe by hand. * When electric net interfere seriously, the High frequency will interfere the main unit at the same time. Please get rid of the interference source, and then restart the machine. 	<p>3) Caution when using Spol Remover:</p> <ul style="list-style-type: none"> * The needle of Spol Remover can not touch the metal when working. * The needle of Spol Remover can not come close the main unit too much or touch the main unit. * Spol Remover pen must be inserted into the connector firm, or the raise may leak gas. <p>4) Forbid inserting or pulling out the fittings when the machine under working.</p> <p>5) Normally please choose level "I" or "II", when using the steam function, please choose level "III" when the voltage is low.</p>

G. SPECIFICATION

1. Power Input: 220 VAC/ 50 Hz
2. Maximum Draw: 800W
3. Machine display: Digital
4. The facial steamer will keep the temperature automatically.
5. The magnifying lamp has double zoom out function.
6. Timer (Up to 30 minute)
7. 7.5 minutes consumed from power on to steam made
8. Machine Weight: 32 KGS
9. Shipping Weight: 37 KGS

4. Galvanic

Galvanic can penetrate water and nutrition into the skin and also remove the useless substance.

5. Massage brush

The function is removing the dirt in the pore or remove the dead cells, so it can deeply make the skin clean. And also can cause the massage effect as well.

6. Hi-frequency

Hi-frequency can cause neon, it can sterilize the skin. And also speeds the wounds recover.

7. Vacuum and Spray

Vacuum deeply makes the skin clean, and remove the acne; Spray is spraying out some nutrition lotion like a frog.

8. Ultrasonic

Ultrasonic can remove the wrinkle in the face, and slim the body and also can input the nutrition.

9. Vacuum Therapy

Vacuum Therapy can get rid of the poisonous matter in the body, stimulate the circulation of blood, accelerate the organ energy and make it more vigorous.

10. Cold Treatment Hammer

Relax the muscles with fine massage to cells and active the skin, with high-speed massage the fat can be reduced.

11. Spot Remover

Remove the spot, mole, polypus and tattoo.

E. Clean and Maintenance

- 1) Don't get the water below the heater.
- 2) Please clean the heater when it gets dirty by acetum.
- 3) Remember: don't use the other liquids to clean the heater. Please add the water into the water cup after 5 beeps alert from the machine.

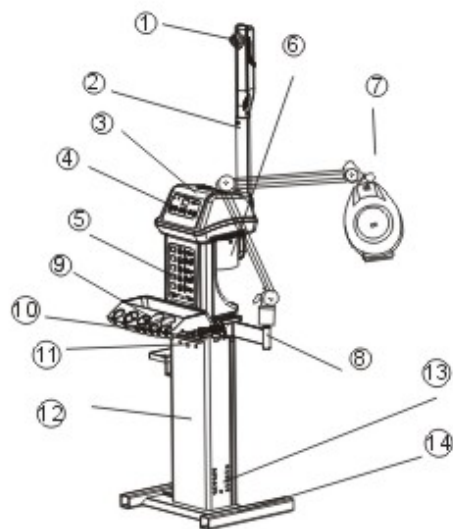
h) Ultrasonic has stronger power since it has more energy.

When it acts on our body, it stimulates the body cells, produces such tiny massage that expands the space in which the cells exist, causes the movement of cytoplasm, the rotation of mitochondria, and the vibration of cell nucleus, stimulates and expands the cell membrane. Therefore it can improve local blood and lymph circulation, increase the penetration among the cells, and improve the metabolism and regeneration of body cells.

- i) Spot Remover's working theory: The cuticle cell is damaged by the high-frequency electricity. Remove various spot thorough, such as freckle, aged spot, and tattoo. The result is obvious without blood and scar.
- j) Cold treatment hammer user a cooler to relax the skin, it can release the pain, and also massage skin as well, it can speed the recover of the wounds.
- k) Vacuum Therapy: Muscle massage by the steel roller running and also can stimulate the circulation of blood, and helps to get rid of the poisonous matter in the body. It does not any harm to the muscle system. It helps to accelerate the organ energy and make it more vigorous.

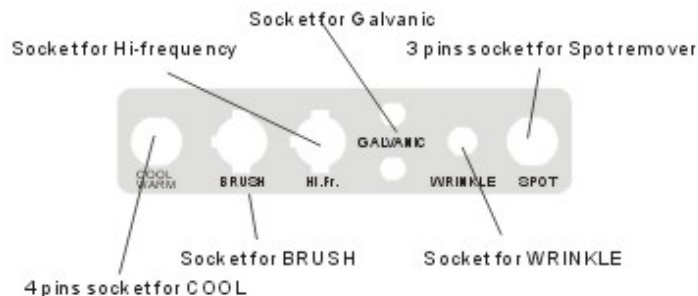
B. STRUCTURE INTRODUCTION

Part I STRUCTURE INTRODUCTION



- | | |
|-------------------------|----------------------------------|
| 1) Spray mouth | 8) Magnifying Lamp support |
| 2) Spaytube | 9) Accessory plate |
| 3) Top machine cover | 10) Support for accessory plate |
| 4) Vapor control panel | 11) Socket and connection pole |
| 5) Main functions panel | 12) Bottom part of the main unit |
| 6) Water cup | 13) Heat losing pole |
| 7) Magnifying Lamp | 14) Stand system |

SOCKET AND CONNECTION POLE ILLUSTRATION



j). When using Wood Lamp

- 1) Turn on the switch.
- 2) The lamp must be used in a dark room.
- 3) According to the skin appears, diagnose the skin condition.

Dun ----The phenomenon of the pigment precipitates
 Blue and purple ---Dry skin
 Orange --- Whelk, the sebaceous and acne
 Top layer whitening ---It is the cuticle wearing out on the surface
 Purple---Anaphylaxis skin
 Blue white ---Health, normal skin

k). When using Magnifying Lamp

- 1) Connect the power, put on the switch, and then the lamp will lighten.
- 2) Movable stand unit, adjust it to the correct position.
- 3) The lamp shade can be turned upon 180 degrees.
- 4) Turn the switch off after using.

E. Functions

1. Facial steamer

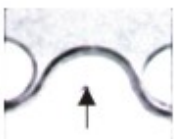
Facial steamer can moisten and whiten the skin, promote the blood circulation and expedite its metabolism, so that the sediment deposited in sweat pores can be easily discharged, and the balance of the body's can also be improved.

2. Magnifying lamp

Magnifying lamp can zoom out the operating part.

3. Wood lamp

Wood lamp can analyze the skin condition of the customer.



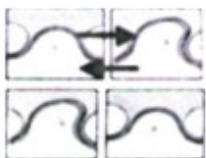
Suck

Operating probe needs to keep in touch with the skin closely, make the muscle entered into the operating probe by the suction of the empty air, and then make its break away from with surface rapidly.



Jumping

Operating probe needs to keep in touch with the skin closely, make the muscle entered into the operating probe by the suction of the empty air, and then the muscle start rhythmical movement by the machine rhythmical shaking (suck and put).



Mutual Slip

operating probe needs to keep in touch with the skin closely, make the muscle entered into the operating probe by the suction of the empty air, and then close to skin, make the probe slipping according to directions of illustration.



Slip

Operating probe needs to keep in touch with the skin closely, make the muscle entered into the operating probe by the suction of the empty air, and then slip at a long distance, then lift up the probe. The operation can make the customer relieve.



"8" shape Slip

Operating probe needs to keep in touch with the skin closely, make the muscle entered in to the operating probe by the suction of the empty air, and then press, let the operating probe slip with a "8" shape. The operation can push away fat after slipping.

Part II ACCESSORIES



Accessory for Hi-frequency



Accessory for Spot Remover



Accessory for Vacuum



Accessory for Spray



Accessory for Brush



Accessory for Wrinkle



Hot & cold hammer

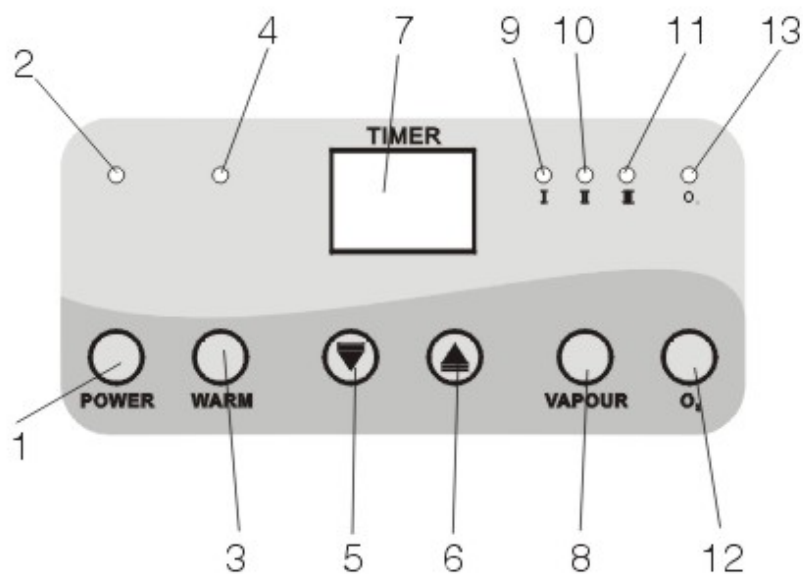


Accessory for Galvanic



Water cup

Part III MAIN CONTROL PANEL



- | | |
|---------------------------|---------------------------|
| 1. Power control | 8. Vapor control |
| 2. Power indicator | 9. Level one indicator |
| 3. Warm keeping control | 10. Level two indicator |
| 4. Warm keeping indicator | 11. Level three indicator |
| 5. Time decrease | 12. Ozone button |
| 6. Time increase | 13. Ozone indicator |
| 7. Time display | |

- Choose the output energy according to the quality of the skin. To choose the type of waveform by button (8), there are two types of wave can be chosen.

f. When using Spot Remover (Area E)

- Insert the handle into the main unit.
- Esthetician clean and sterilize the hands with alcohol if without sterilizing the gloves.
- Fix the sterilized spot-removing needle onto the handle.
- Clean and sterilize the affected part to be deal with.
- Smear the affected part of the client's body with narcotic for 3 minutes.

g. When using Cold Treatment Hammer (Area F)

- Insert the hammer wire into the "COOL WARM" socket.
- Press the button (1) in Area F to start the function of the Cool & hot; use time: 5 minutes.
- After using, cut off the power.

h. When using Vacuum & Spray (Area G)

- Connect the power, and then press the button (1) in the Area G (Vacuum & Spray), then the indicator (2) lightens, the function starts.
- Select appropriate glass tube then insert into vacuum hose.
- When spray is needed, use the finger to press on the top hole of spray head then spraying will start.

i. When using Vacuum Therapy (Area H)**Basic operation**

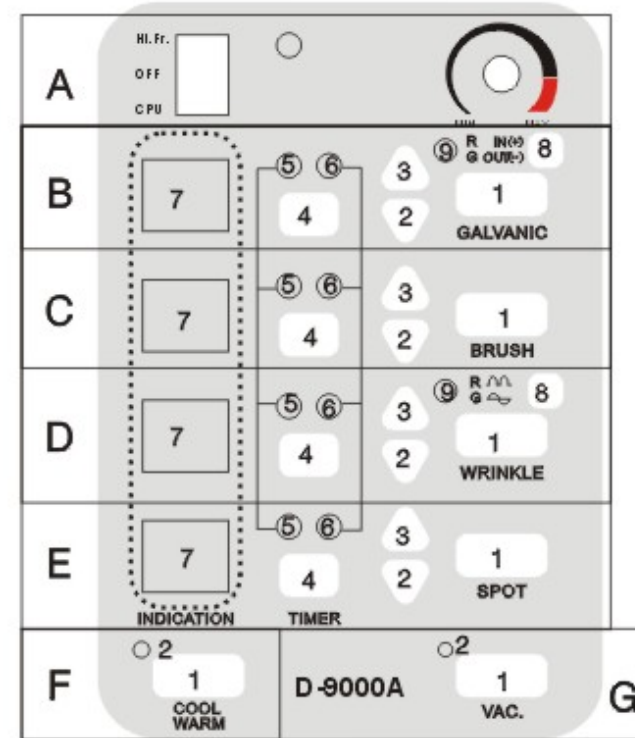
Suck, Jumping, Mutual Slip, Slip, "8" shape Slip

d). when using Brush (Area C)

1. Select appropriate brush and insert into the brush handle. It will be locked in place as a "KA" sound is heard.
2. Connect to the power and then press the button (1) in Area C to start the function of the brush.
3. Adjust the time and intensity by button (4), when the indicator (5) lightens, the display screen (7) shows the time, now you can press the button (2), (3) to adjust the time; when the indicator (6) lightens, it means can adjust the intensity, now the operating panel (7) shows the intensity, press the button (2), (3) to adjust the intensity.
4. Set and change the rotating speed and the rotating direction according to the skin condition of the customer, Viscose sponges and warm water are used to remove excess treatment product from client's skin.
5. Kinds of brushes:
 - A. Bigger wool brush: for cheek, chin and forehead.
 - B. Smaller wool brush: for eyelids, lips and nose.
 - C. Sponge brush: for sensitive skin.
 - D. Plaster brush: for dead surface or coarse skin.

e). When using Ultrasonic (Area D)

1. Please clean the face with washing emulsion before treatment.
2. Choose the nutrition lotions according to the skin.
3. Connect the power, press the Area D (1) (WRINKLE) button, start the function of Ultrasonic; adjust the time and intensity by button (4), when the indicator (5) lightens, the display screen (7) shows the time, now you can press the button (2), (3) to adjust the time; when the indicator (6) lightens, it means can adjust the intensity, now the display screen (7) shows the intensity, press the button (2), (3) to adjust the intensity.

PartIV FUNCTIONS AREA

Panel is distributed to 7 areas (The detail of the button function, please refer to the operation methods)

- | | |
|-------------------|--------------------------|
| A) Hi-frequency | B) Galvanic |
| C) Brush | D) WRINKLE |
| E) Spot remover | F) Cold treatment hammer |
| G) Vacuum & spray | |

C. OUTLINE (See Figure A)**D. OPERATING METHODS****a). When using Facial steamer**

1. Fill distilled water into in water bottle under the red line about 500ml;
2. Insert the plug into the socket and then press the "POWER" button, then press the " VAPOUR" button, the steam will come out in 7 minutes, in the meantime you can control the spray volume of the steam. LEVEL 1 steam is minimum LEVEL 3 is maximum. Press the WARM button to start the function of heat preservation. The temperature of the water will be around 61 degrees.
3. Press " " to increase time; press " " to decrease time.
4. The arm of the steamer can rotate 80 degrees up and down the nozzle can be turned around 330 degrees.

b). when using Hi-frequency (Area A)

1. Select appropriate electrode, then insert into the high frequency handle.
2. Press Area 1 (Hi-frequency) button to start the function of Hi- frequency.
3. To adjust the time and strength by button (4); when the indicator (5) lighten, it can adjust the time, the display screen (7) shows the time, now you can pr-

ess the button (2), (3) to adjust the time; when the indicator (6) lighten, it means can adjust the intensity, now the display screen (7) shows the intensity, press the button (2), (3) to adjust the intensity.

c). When using Galvanic (Area B)

1. Let the client hold one electrical polarity and esthetician hold another electrical polarity.
2. Pincer some cotton by the esthetician's electrical polarity then applies skin care lotion on cotton.
3. Connect to the power, press the Area B(1) (galvanic) button, start the function of galvanic; adjust the time and intensity by button (4), when the indicator (5) lighten, the display screen (7) shows the time, now you can press the button (2), (3) to adjust the time; when the indicator (6) lighten, it means can adjust the intensity, now the display screen (7) shows the intensity, press the button (2), (3) to adjust the intensity.
4. Put the cotton on the forehead of the customer by the forceps and then press the button (8) to select the anode, and then adjust the electric current slowly according to you need, the operation time is about 4-6 minutes.
5. Exchange a new clean cotton on the forehead of the customer, and then choose "-" cathode by the button (8), then operate with educing chemical liquid, the operation time is about 3-5 minutes.