



PARAGON[®]

I86, I86/52 MAG LAMP

Before installing and using this unit, please carefully read these instructions. Be sure to keep this available for later reference.

1 UNPACKING

Unpack carefully. This lamp has glass pieces.

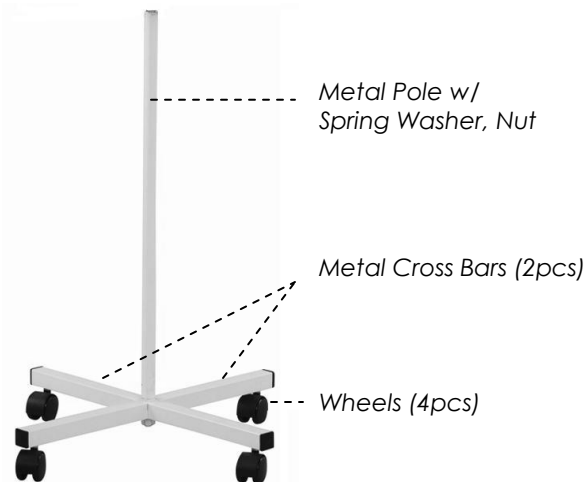
BE SURE TO REMOVE ALL PACKING MATERIAL BEFORE APPLYING POWER TO THE UNIT.

2 ASSEMBLY

2.1 Mobile Stand Model No. 52

Check that you have the enclosed parts:

- Metal Pole w/ Spring Washer and Nut
- Metal Rectangular Cross Bars (2pcs)
- Caster Wheels (4pcs)

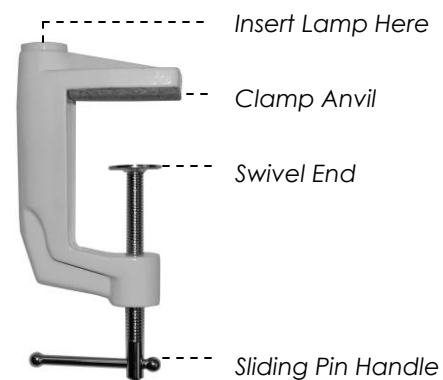


- Unscrew the preassembled spring washer and nut from the bottom of the metal pole.
- Place the rectangular cross bars perpendicular to one another. Check to see that the predrilled holes for the caster wheels are facing down.
- Place pole into center hole of base and screw the nut and spring washer to the base of the pole. Tighten the nut with a hand wrench.
- Insert the lamp stem into the top of the pole.

Please note, the table clamp is not included for units ordered in combination with the mobile stand.

2.2 Table Clamp Model No. 186-CC

NOTE: The c-clamp is designed to be used on a level surface and should only be mounted onto a sturdy piece of furniture or other permanent fixtures.



- “Open” the metal clamp by turning the sliding pin handle counterclockwise.
- Position the table between the screw swivel end and the padded clamp anvil.
- “Close” the clamp by turning the sliding pin handle. Tighten until securely fastened.
- Insert the lamp stem into the top of the pole.

3 MAINTENANCE

3.1 Maintenance

Lamps should be cleaned and inspected on a daily basis or once before each day's use.

- Check to see that the lamp is in good working conditions and that there are no exposed parts or wires.
- Check that the lamp is securely mounted on its stand or clamp.
- Check for broken bulbs, lens, and etc.

3.2 Bulbs

This lamp uses a 22W cool fluorescent circline lamp. For replacement bulbs, please visit your local hardware store or contact your distributor. The following are instructions for replacing a broken bulb.

- A. CAUTION! Use caution when removing broken bulbs. There may be broken glass. Broken glass may cut.
- B. Unplug the lamp and carefully remove from the lamp from its stand or clamp.
- C. Lay the lamp with the clear cover face up. Unscrew (3 screws) and remove the lamp cover.
- D. If necessary, empty the contents of the lamp case.
- E. Remove the broken bulb by gently tugging on the protected area of the bulb. Install the new bulb by inserting the 4-prong plug into its receptacle.
- F. Replace the lamp cover by securing the 3 screws.
- G. Carefully lift the lamp and replace the lamp stem into its stand or clamp.

4 TROUBLESHOOTING

When machine fails to work properly, use the following directions to detect the cause of the problem:

- A. Check the power cord for proper connection.
- B. Make sure the switch is in the ON position.
- C. Check the power source by connecting another electrical appliance to the AC outlet.
- D. Check that the bulb is in good working condition. You may need to switch to a new bulb.
- E. Check that the starter is securely screwed in.

5 WARRANTY & SERVICE

5.1 Warranty

One Year Limited Warranty. See attached terms and conditions for details.

5.2 Service

If the unit ever needs repair service or parts, the customer should contact the distributor or call Paragon Technical Support 1(888) 731-6688.

Electrical: 120 Volts AC, 48 Watts

GARFIELD INTL. CO., INC.
15977 HERON AVENUE
LA MIRADA, CA 90638

PARAGON® is a trademark of Garfield International.



Questions or Comments?
Please call 1-888-731-6688



www.garfieldint.com

ATTENTION

For your protection in the event of theft or loss of this product, please fill in the information below for your own personal records.

Model No _____ Serial No. _____
(Located on back or bottom side of unit.)

Date of Purchase _____ Purchase Price _____

Purchased From _____